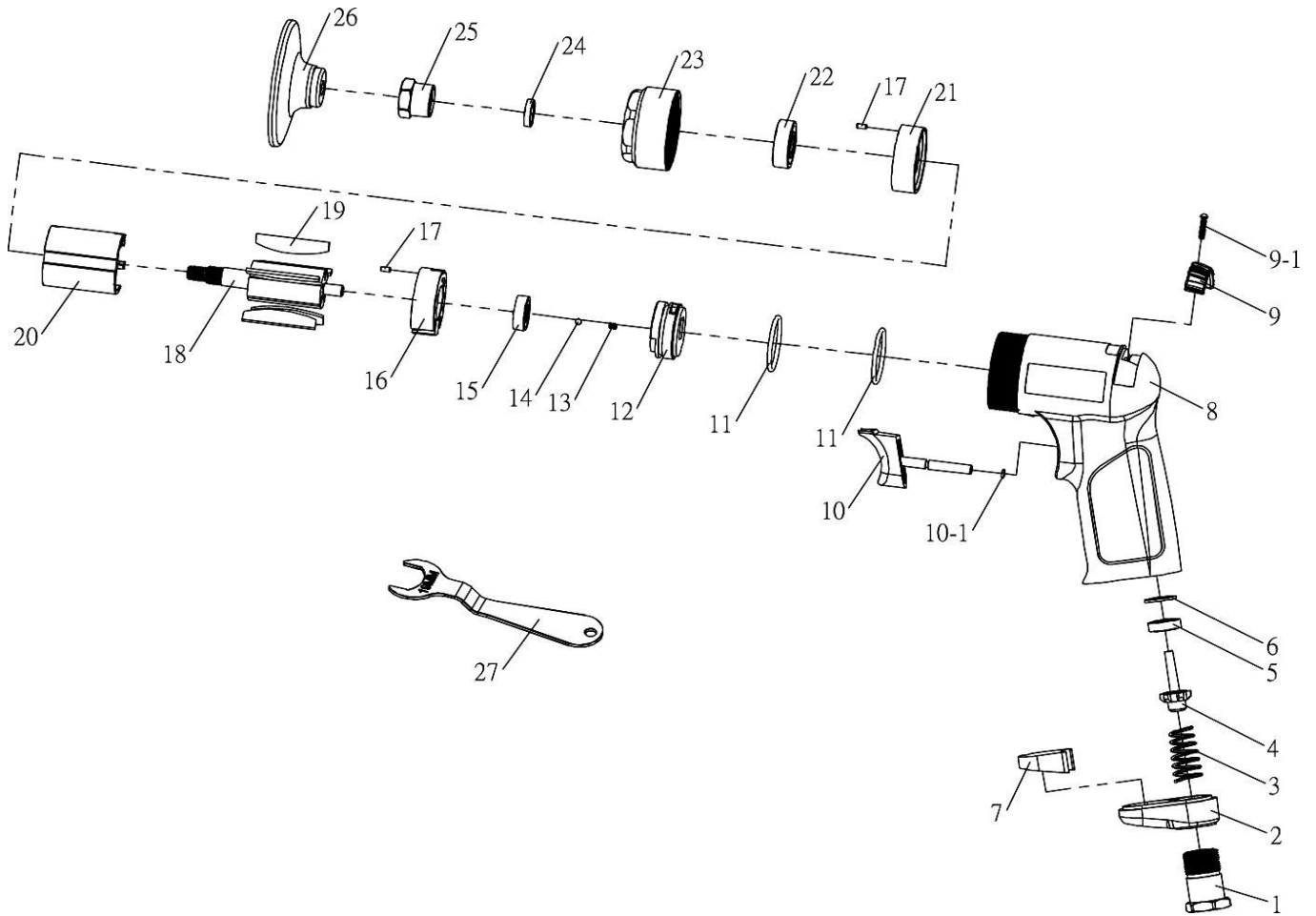


C13131

3"(2") AIR HIGH SPEED SANDER -COMPOSITE HOUSING



PARTS LIST

No.	Parts No.	Description	Q'ty	No.	Parts No.	Description	Q'ty
1	C13131-01	Inlet Bushing	1	14	C13131-14	Detent Ball	1
2	C13131-02	Deflector	1	15	C13131-15	Ball Bearing	1
3	C13131-03	Valve Spring	1	16	C13131-16	Rear Plate	1
4	C13131-04	Valve	1	17	C13131-17	Spring Pin	2
5	C13131-05	Valve Seat	1	18	C13131-18	Rotor	1
6	C13131-06	Spacer	1	19	C13131-19	Rotor Blade	5
7	C13131-07	Silencer	1	20	C13131-20	Cylinder	1
8	C13131-08	Composite Housing	1	21	C13131-21	Front Plate	1
9	C13131-09	Reverse Valve Lever	1	22	C13131-22	Ball Bearing	1
9-1	C13131-09-1	Taping Screw (Φ2.3x12L)	1	23	C13131-23	Front Housing	1
10	C13131-10	Trigger	1	24	C13131-24	Anvil Bushing	1
10-1	C13131-10-1	O-Ring (3x1)	1	25	C13131-25	Spindle Nut	1
11	C13131-11	O-Ring (27x2)	2	26	C13131-26	3" Pad [ST-C13131]	1
12	C13131-12	Valve Body	1		C13131-26A	2" Pad [ST-C13131-2]	1
13	C13131-13	Spring	1	27	C13131-27	Wrench (19mm)	1